

VDM-101HD



10.1" High Brightness Fanless Industrial Display for In-Vehicle Edge Computing

- Effortless One-Cable Connection
- 1280(H)×800(V) High Resolution
- High Brightness 1000 Nits
- Secondary Video Input (HDMI)
- Projected Capacitive Multi-touch
- DC 9 - 48V Power Input
- Operating Temperature: -20°C ~ 60°C
- Vehicle Regulation E-Mark

Specifications

LCD

Size

- 10.1"

Resolution

- 1280 x 800

Brightness (Typ.)

- 1000 nits

Contrast Ratio (Typ.)

- 1300:1

Viewing Angle (H/V)

- 178/178

Lifetime (hrs)

- 50000

Environmental

Operating Temp.

- -20°C ~ 60°C (-4°F ~ 140°F) with 0.6m/s airflow

Storage Temp.

- -40°C ~ 80°C (-40°F ~ 176°F)

Relative Humidity

- 10% RH ~ 90% RH (non-condensing)

Vibration

- IEC 60068-2-64, random, 2.5G@5~500Hz, 1hr/axis
- MIL-STD-810G, Method 514.6, Procedure I, Cat.4,

Shock

- MIL-STD-810G, Method 516.6, Procedure I, Trucks and semi-trailers=15G (11ms)

Touch

Touch Type

- PCT w/ AG and AF treatment

*Touch function requires connection via custom DVI cable.

Bonding

- Optical Bonding

Interface

Video

- 1 x DVI-D (single link with custom pin definition)
- 1 x HDMI®

Audio

- 2 x Audio output via built-in digital 2W stereo speakers
- Built-in microphones

Control Button

- 8 x Touch key
(OSD, 3 function keys, 1 power on/off)

Certification / Compliance

- CE, FCC Class A, E-Mark

Mechanical

Mounting

- VESA mounting (75 x 75)

Net Weight

- 0.9 kg (1.98 lb)

Dimensions (L x W x H)

- 248 x 179 x 36mm (9.76 x 7.05 x 1.42 in.)

Ingress Protection

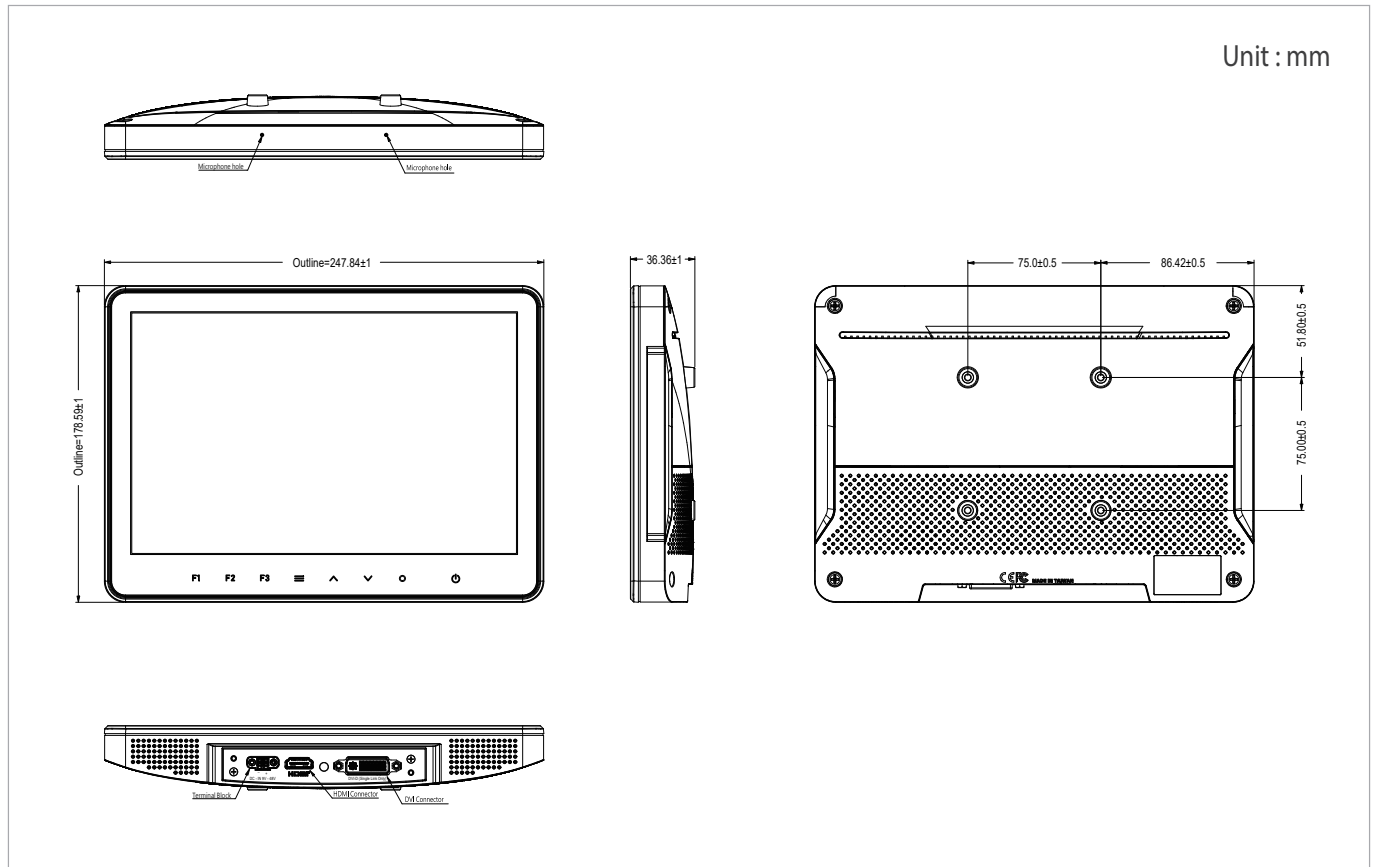
- Front frame IP66
- IP4X

Power

Power Input

- DC 9 - 48V via DVI-D or 2-pin terminal block

Dimensions



Ordering Information

Model Number	VDM-101HD
Description	10.1", 1280x800, 1000nits, PCT with AG & AF / 1 x HDMI / 1 x DVI / 3 x Function Key / OSD / DC 9-48V Display
State of Origin	Made in Taiwan

Optional Accessories

Power Adapter	AC/DC 100-240V/12V 60W C14 power adapter
Cable	Custom DVI cable for VBOX-3650, VBOX-3630, VBOX-3123, SBOX-2623, SBOX-2603, IBOX-500
	Custom DVI to 6-port combo cable (DP, USB Type-A, RS232, 3.5φ Mic-out, 3.5φ Line-in, Power Jack) Compatible with all models equipped with the corresponding connectors.
Push mount zip tie kit	Self-locking strap (cable tie) for HDMI cable