

ABOX-5000G1

Taiwan Patent No. M447854, M565941

Intel 6th/7th-Gen Quad Core Xeon/ Core i7/i5/i3 CPU w/ 6 x GbE/ 3 x COM/ 7 x HDMI/4 USB 3.0/ NVIDIA® GeForce GTX 1050 GPU/ 9-48V Input AI GPU Computing

Features

- Intel 6th/7th-Gen Quad Core Xeon/Core i7 CPU
- NVIDIA® GeForce GTX 1050 GPU
- Support 768 CUDA Cores
- 8 x GPI and 4 x GPO and 3 x RS-232/422/485
- Dual Hot Swappable SATA Storage RAID 0,1,5
- 9-48V DC Input and Operating Temp.: -40~70°C
- 6 x GbE LAN (Optional for 4 x PoE)



POE



GPS



Wireless



Wide Range



Delay Time

Introduction

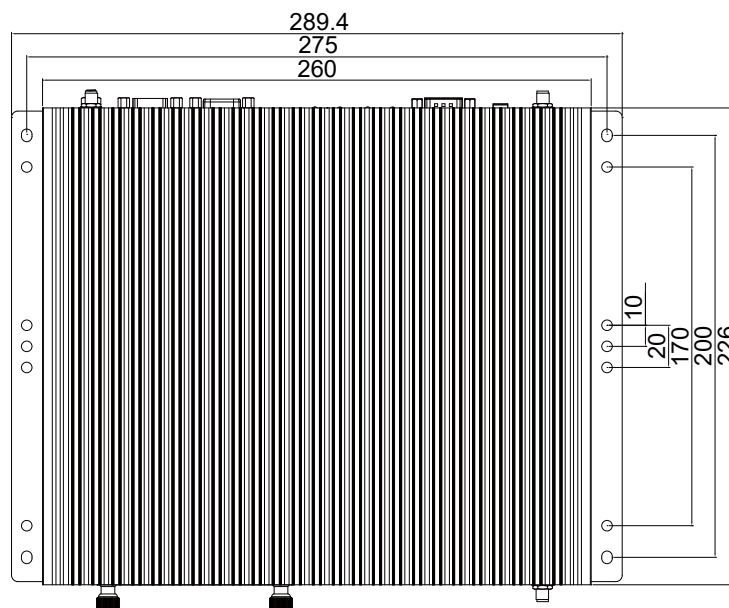
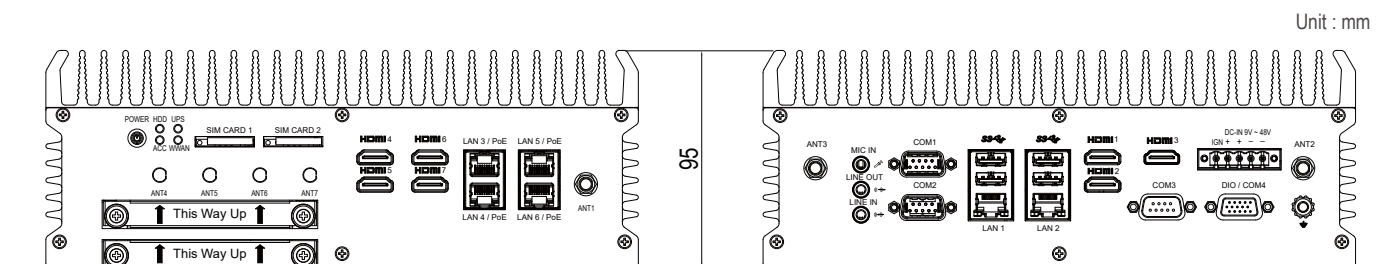
The ABOX-5000G1 In-Vehicle Fanless Computers are powered by Intel 6th/7th-Gen Quad Core Xeon/i7/i5/i3 CPU with 6 GbE/ 4 COM/ 7 HDMI/ 4 USB 3.0. Highlights of ABOX-5000G1 In-Vehicle Fanless Computers is the NVIDIA® GeForce GTX 1050 GPU, supported by 768 CUDA Cores. It supports OpenGL 4.5, OpenCL™ and 1.2 DirectX® 12 (Feature Level 12_0). The wide-ranging applications include a patrol system, factory automation and management, indoor and outdoor video surveillance systems as well as general technical use for visual analysis like mining machines. Moreover, it features Nvidia 4K High Resolution. The visual analysis function creates great opportunities for AI solutions to improve productivity and system efficiency.

Specifications

System	
CPU	Intel Xeon E3-1268L v5 (8M, cache 2.4~3.4GHz) Intel Gen6 Core i7-6700TE (8M Cache 2.4GHz up to 3.4GHz) Intel Gen6 Core i5-6500TE (6M Cache 2.3GHz up to 3.3GHz) Intel Gen6 Core i3-6100TE (4M Cache 2.7GHz)
Memory	2 x DDR4 2133 MHz SO-DIMM up to 32GB
Chipset	Intel Q170 for Intel 6th-Gen Skylake-S Core-i series Intel C236 for Xeon Quad Core E3-1268L v5 (optional)
LAN Chipset	5 x Intel i210-AT and 1 x i219LM (iAMT9.5 w/ i5, i7 only) Gb/s Ethernet Controllers Onboard Support PXE and WOL
Watchdog	1 ~ 255 Level Reset
TPM	2.0
I/O	
Serial Port	3 x RS-232/422/485 (Optional Max 4 x RS-232/422/485)
USB Port	4 x USB 3.0 Ports
LAN	6 x RJ45 Ports for GbE (Optional for 4 x POE total Max. 100w)
Video Port	7 x HDMI Ports
DIO Port	8 x GPI and 4 x GPO
Audio	1 x Line-out, 1 x Line-in and 1 x Mic-in
Expansion Bus	3 x Full Mini-PCIe Slots and 1x M.2 A-E Key 2230 slot (2 x SIM Card Sockets for 3G/LTE)
Software	
Operating System	Win 10, Ubuntu 16.04 64bit
Graphics	
Graphics	NVIDIA® GeForce GTX 1050 GPU (768 CUDA Cores) Support for OpenGL 4.5 and OpenCL™ 1.2 Support for DirectX® 12 (Feature Level 12_0) features
Resolution	Max Resolution (HDMI 2.0b) :4096x2160@60Hz

Environmental	
Operating Temp.	-40°C ~ 70°C, ambient w/ 0.6m/s airflow Patent No. : M565941 - Thermal Cooling
Storage Temp.	-40°C ~ 80°C
Relative Humidity	10% RH – 90% RH (non-condensing)
Vibration (with SSD)	IEC60068-2-64, random, 2.5G@5~500Hz, 1hr/axis MIL-STD-810G, Method 514.6, Procedure I, Cat.4, Operating
Shock	Operating: MIL-STD-810G, Method 516.6, Procedure I, Trucks and semi-trailers=15G (11ms) with SSD
Certifications	CE, FCC Class A, E13
Storage	
Type	2 x 2.5" Drive Bay for SATA Type HDD/SSD RAID 0, 1, 5 1 x mSATA
Power Requirement	
Power Input	9V - 48V DC Power Input
Power Protection	Automatics Recovery Short Circuit Protection
Power Mgmt.	Vehicle Power Ignition for Variety Vehicle
Power Off Control	Power off Delay Time Setting by BIOS and Software
Battery (UPS)	Internal Battery Kit for 10 Mins Operating Order No.: ABOX-5000G1-BAT, size: 260 x 226 x 95mm Patent No. : M447854 - Build-in Battery
Mechanical	
Construction	Aluminum Alloy
Mounting	Wall-mount
Weight	3860g (Barebone)
Dimensions	260(L) x 226(W) x 89(H) mm

Dimensions



Please Scan The QR Code For More Information

Ordering Information

Part Number	ABOX-5000PG1-i7 Optional for i5/i3/C1 (with PoE) ABOX-5000G1-i7 Optional for i5/i3/C1
Description	Intel 6th/7th-Gen Quad Core Xeon/ i7/i5/i3 CPU w/ 6 GbE/ 4 COM/ 7 HDMI/ 4 USB 3.0/ NVIDIA® GeForce GTX 1050 GPU/ 9-48V Input AI GPU Computing
State of Origin	Made in Taiwan

Optional Accessories

DRAM	SO-DIMM max.DDR4-2133,4GB~32GB,0~70°C/-40~85°C
SATA SSD	2.5inch MLC/TLC 64GB~1TB 0~70°C/-40~85°C
mSATA	MLC 16G~512GB, 0~70°C/-40~85°C
Wifi	M.2 802.3a/b/g/n/ac
Modem	LTE miniPCIe card
GPS	GPS miniPCIe card
CANBUS	CANBUS miniPCIe card
Battery backup kit	N/C, cannot install battery backup kit. Please order: ABOX-5000G1-BAT, size: 260 x 226 x 95mm
Power adapter	AC/DC 220W/24V or 280W/24V power adapter